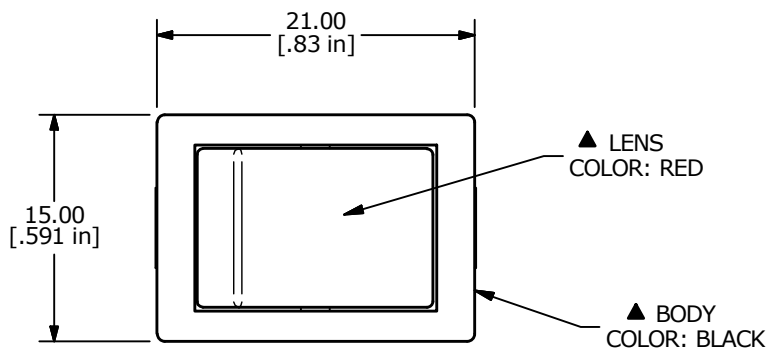
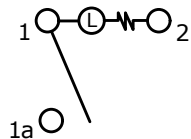


PANEL CUTOUT

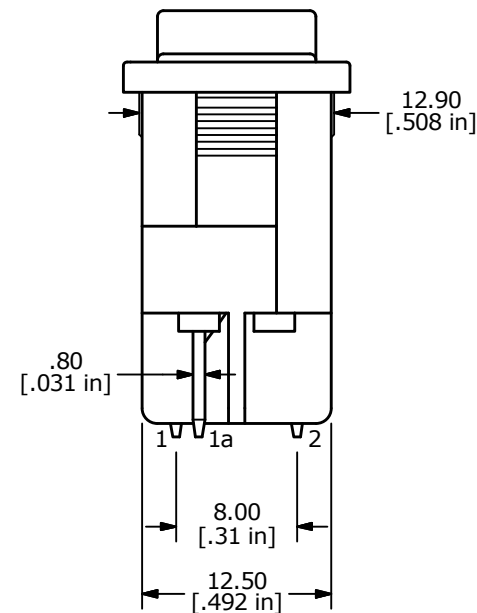
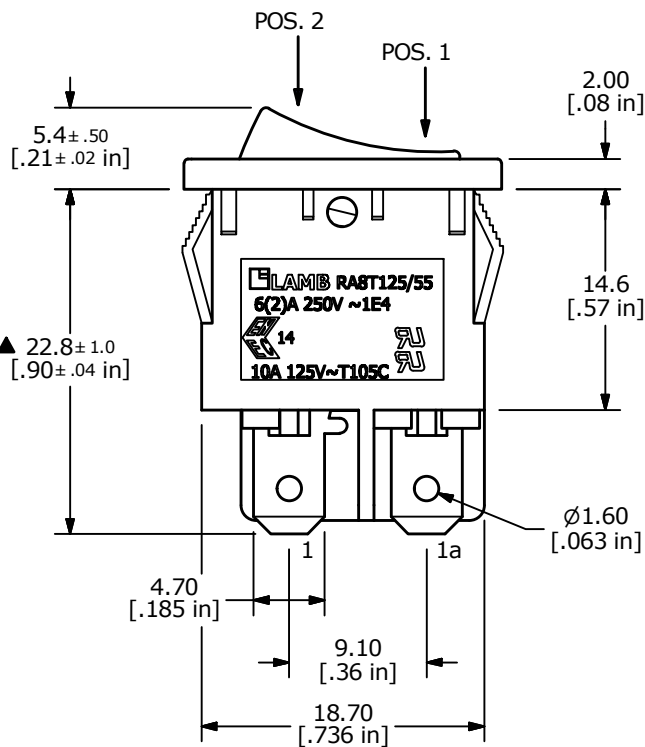
PANEL THICKNESS	X
0.75 - 1.25	19.2
1.25 - 2.00	19.4
2.00 - 3.00	19.6



SWITCH FUNCTION	
POS. 1	POS. 2
OFF	ON
OPEN	1-1a, 2



CIRCUIT: SPST
OFF - ON



NOTE:

- DIMENSIONS IN MM [INCH]
- GENERAL TOLERANCE: X.X = ± 0.4
X.XX = ± 0.25
- TERMINAL NUMBERS FOR REF ONLY
- CONTACT MATERIAL: SILVER
- ▲ CONTACT RATINGS: 10A @ 125VAC [UR, cUR]
6(2)A @ 250V~ (ENEC)
- CONTACT RESISTANCE: 35mΩ MAX. @ 50VAC
- INSULATION RESISTANCE: 100MΩ MIN. @ 500VAC
- DIELECTRIC STRENGTH: 1,500VAC FOR 1 MINUTE
- ELECTRICAL LIFE: 6,000 CYCLES [UR, cUR]
10,000 CYCLES [ENEC14: 6(2)A 250v~]
- OPERATING TEMP.: -20°C to 105°C [UR, cUR]
-20°C to 125°C [ENEC14: 6(2)a 250v~]
- ▲ DENOTES CRITICAL PARAMETER
- ▲ 12. LAMP VOLTAGE: 125V



A	23634	RELEASE	10/19/18	MW
REV	PCR NO	DESCRIPTION	DATE	BY

TITLE	RA81131000-116			
SCALE	DATE	DR	DWG	REV
2:1	10/19/2018	MW	38-RA81131000116	A

THE INFORMATION CONTAINED IN THIS DOCUMENT IS PROPRIETARY TO E-SWITCH AND IS NOT TO BE COPIED OR TRANSFERRED